

Elegant Elbe River Cruise

September 14–24, 2018 Prague to Berlin

Sailing on the *Viking Beyla*

Escorted by Bob Guymon



Discover the natural beauty of former East Germany's dramatic landscape on an Elbe River cruise. Tour the opulent palaces of Saxon monarchs and stroll through beautifully landscaped gardens; sail between dramatic sandstone cliffs of Germany's "Saxon Switzerland". Marvel at the baroque splendor of Dresden and see how Meissenware porcelain is produced. Walk in the footsteps of Martin Luther in historic Wittenberg and learn about the Protestant Reformation. The Elbe

is one of Europe's most unspoiled rivers and it awaits you—from Berlin to Prague—on this 10-day cruisetour.

The *Viking Beyla* is a smaller ship with just 98 passengers. This is a very popular itinerary and will sell out quickly!!

- Sept 14 - Depart USA for overnight flight to Prague**
- Sept 15 - Prague - check in to hotel, day at leisure**
- Sept 16 - Prague - Prague city tour**
- Sept 17 - Prague/Decin Embarkation**
- Sept 18 - Bad Schandau - Bastei Excursion**
Saxon Switzerland (scenic cruising)/Dresden overnight
- Sept 19 - Dresden - Dresden city tour**
- Sept 20 - Meissen - Meissen City & Porcelain Manufacturing Tour**
Torgau
- Sept 21 - Wittenberg - Wittenberg City Walk**
- Sept 22 - Wittenberg - Disembark, transfer to Berlin**
Dessau - Worlitz Palace & Gardens
Potsdam - Potsdam Walking Tour
Berlin - check in to hotel
- Sept 23 - Berlin - Berlin City Tour**
- Sept 24 - Berlin - Transfer from Hotel to Berlin Airport for flight home**

Pre- and Post packages are available in Berlin and Prague:

2-nights Prague

Discover the “City of a Hundred Spires”. Tour Hradcanyu Castle, visit Gothic St. Vitus Cathedral and stroll along the Charles Bridge. Optional tour with Privileged Access to Lubkowitz Palace. Two nights at the Prague Marriott (or similar) and daily breakfasts are included along with the services of a dedicated Viking host. (Cost to be announced)

2-nights Berlin

Encounter Germany’s historic capital and see its many landmarks including Checkpoint Charlie, Berlin Cathedral, Brandenburg Gate and Berlin Wall remains. Tour one of its many museums or Charlottenburg Palace. Two nights at the Hilton Berlin (or similar), daily breakfasts and panoramic city tour are included along with the services of a dedicated Viking host. (Cost to be announced)

All this is included:

- 10-day cruisetour (6-day cruise) visiting 2 countries, 6 ports & 4 additional cities by land; port taxes & fees; complimentary wi-fi
- 2 nights each at the Hilton Berlin & Hilton Prague Hotel (or similar)
- Visit 4 UNESCO World Heritage Sites
- 8 included shore excursions with local guide & headset
- Culture Curriculum®: enjoy baroque chamber music & a Czech folkloric performance; listen to an eyewitness account of Czechoslovakia’s Velvet Revolution; attend lectures on surprising Saxony & modern-day Czech Republic; learn some basics of the German language
- Beer, wine and soft drinks with onboard lunch & dinner
- Meals included on board & ashore: 9 breakfasts, 4 lunches, 5 dinners
- Onboard meals featuring regional specialties & always available American classics; Welcome Cocktail Reception & Farewell Dinner; 24/7 specialty coffees, teas & bottled water; Organic herb garden
- Room steward & twice-daily housekeeping service; Evening turndown service; Hotel-style bed with optional twin-bed configuration; luxury linens & pillows
- 42" flat-panel TV, with interactive programming, Complimentary Movies On Demand
- Security safe, hair dryer, 110/220 volt outlets, direct-dial satellite phone, Refrigerator; Bathrobes & slippers (upon request)
- Heated bathroom floor & anti-fog mirrors; Premium Freyja™ toiletries
- Airport transfers on date of embarkation/ disembarkation with Viking Air program

Cruistour only pricing:

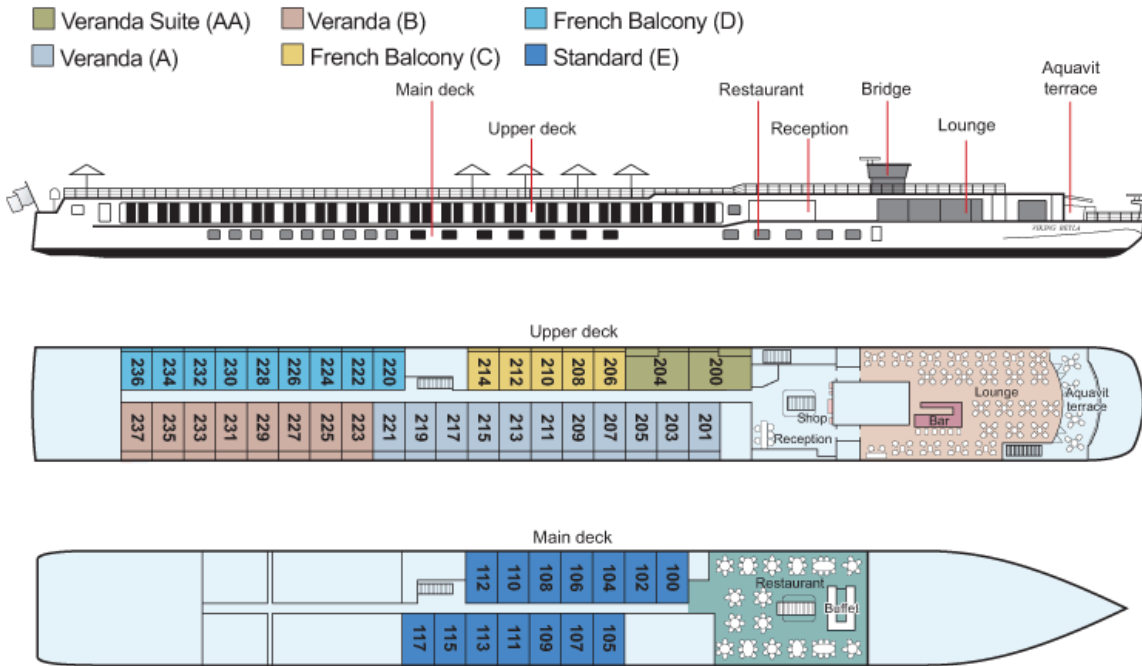
Category AA Veranda Suite:	\$7,474.00 per person/ dbl
Category A Veranda:	\$5,924.00 per person/ dbl
Category B Veranda:	\$5,842.00 per person/ dbl
Category C French Balcony:	\$4,724.00 per person/ dbl
Category D French Balcony:	\$4,574.00 per person/ dbl
Category E Standard:	\$4,474.00 per person/ dbl

A deposit of \$500.00 per person is due within 72 hours of making reservations with final payment due April 30, 2018. Promotional Airfare payment is due by June 30, 2017.

Trip insurance is available at additional cost and is strongly recommended. A valid passport is required. Passports must be valid at least 6 months after end date of trip.

Viking Beyla

Built: 2015 Length: 361 ft. Crew: 25 Guests: 98 Decks: 3



**2 - for - 1 Cruise and Custom Air from \$545.00 per person plus
 "Choose" one free offer: Free Beverage package per person or
 \$300.00 Shipboard Credit per stateroom.**

*****Must book by February 28, 2017*****

RESERVATION FORM
Elegant Elbe River Cruise

September 14-24, 2018

Your Name(s): _____

(Name as it appears on your valid passport. Penalty fees will be charged for name corrections)

Birth dates _____

Address: _____

City: _____ State: _____ Zip: _____

Telephone #: _____

Email Address: _____

Emergency Contact: _____

(name, phone number, address)

Number of persons in room Single: ____ Double: ____

Category: AA Veranda Suite ____ A Veranda ____ B Veranda ____ C French Balcony ____
D French Balcony ____ or E Standard ____

Seating Preference Aisle: ____ Window: ____ Next: ____

Frequent Flyer #s if any: _____

Passport # _____
Issuing country _____ expiration date (MM/DD/YYYY)

Passport # _____
Issuing country _____ expiration date (MM/DD/YYYY)

A deposit of \$500.00 per person is enclosed
A valid passport is required for this tour

Please remit to:

Thomas Travel
535 East 4500 South, Suite D200
Salt Lake City, UT 84107
Phone: (801) 266-2775 / (800) 255-3230
email: bob@thomstravel.com